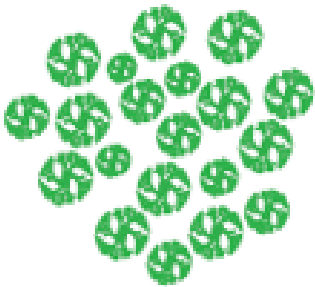
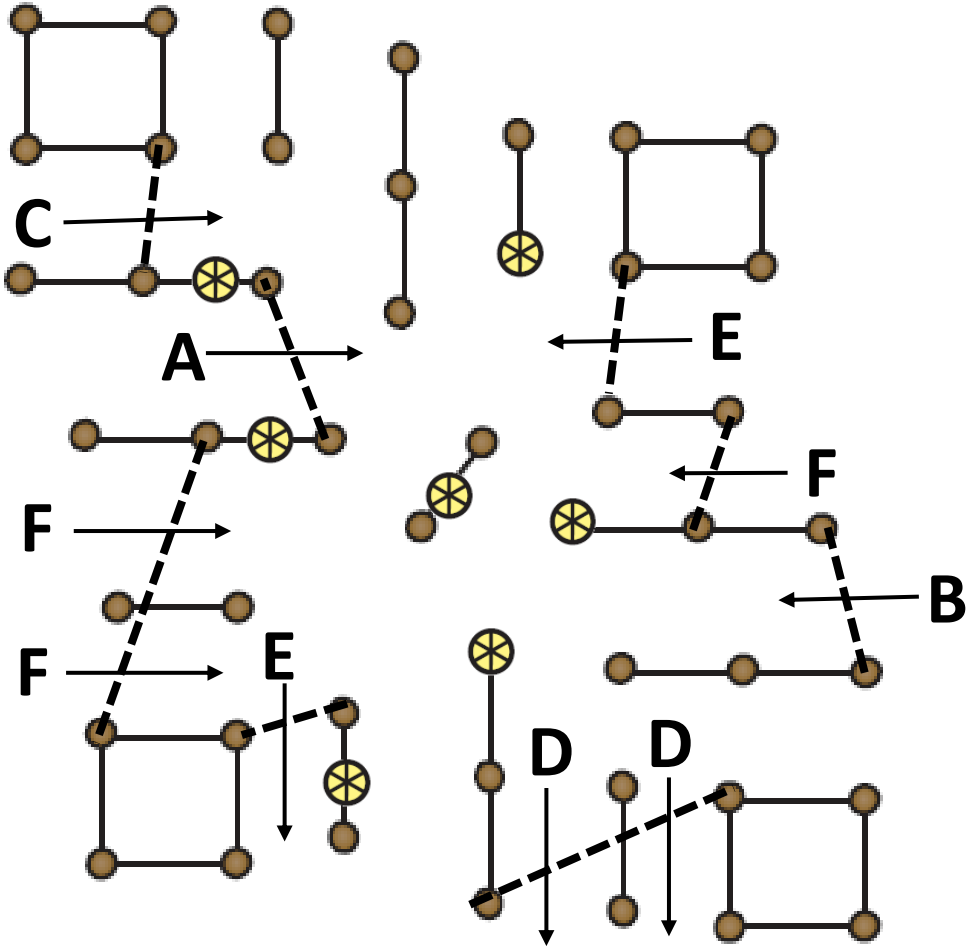


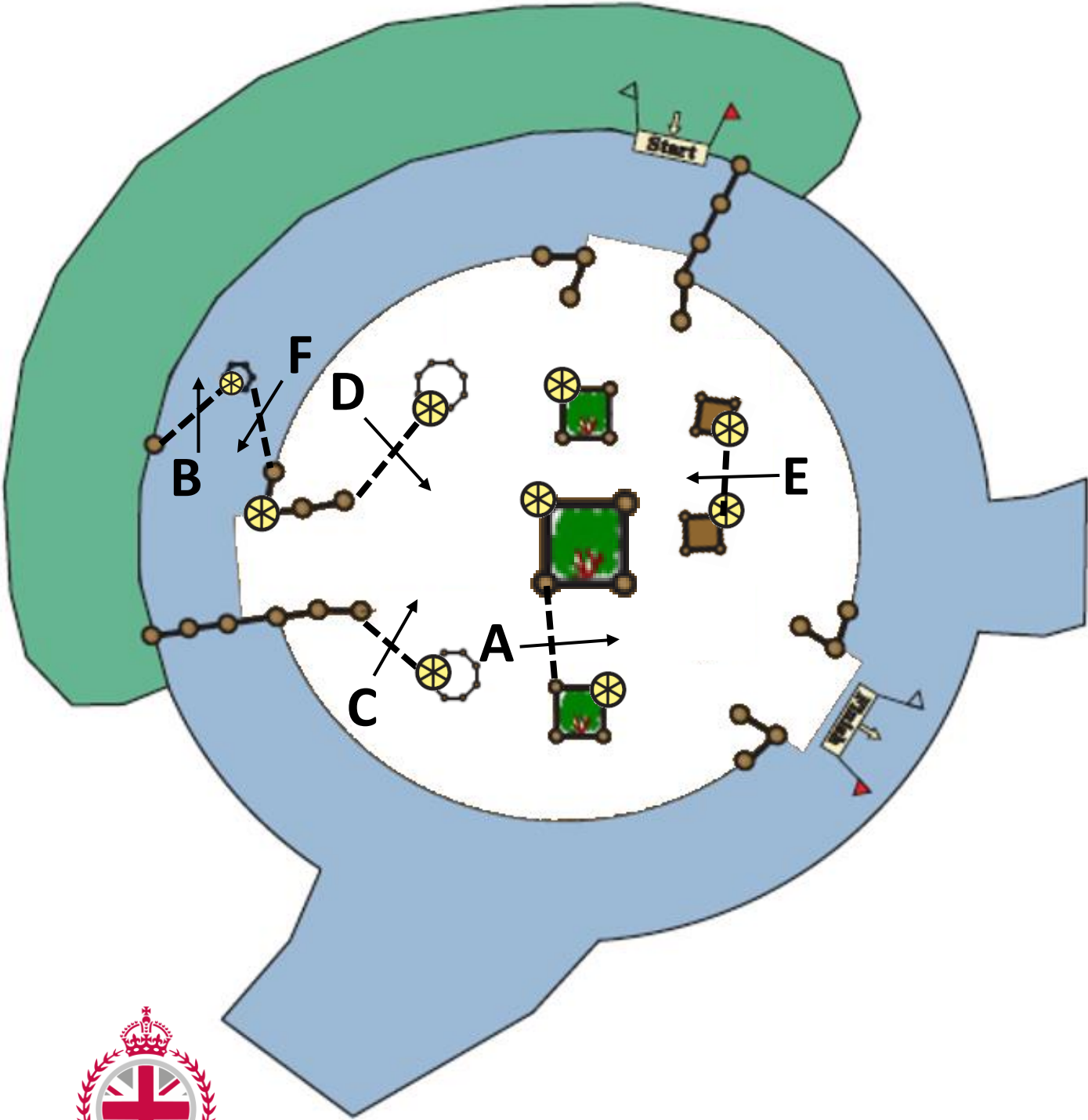
OBSTACLE 1



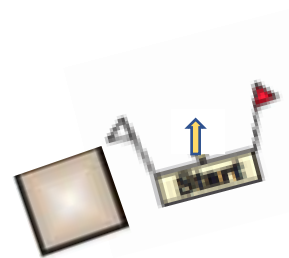
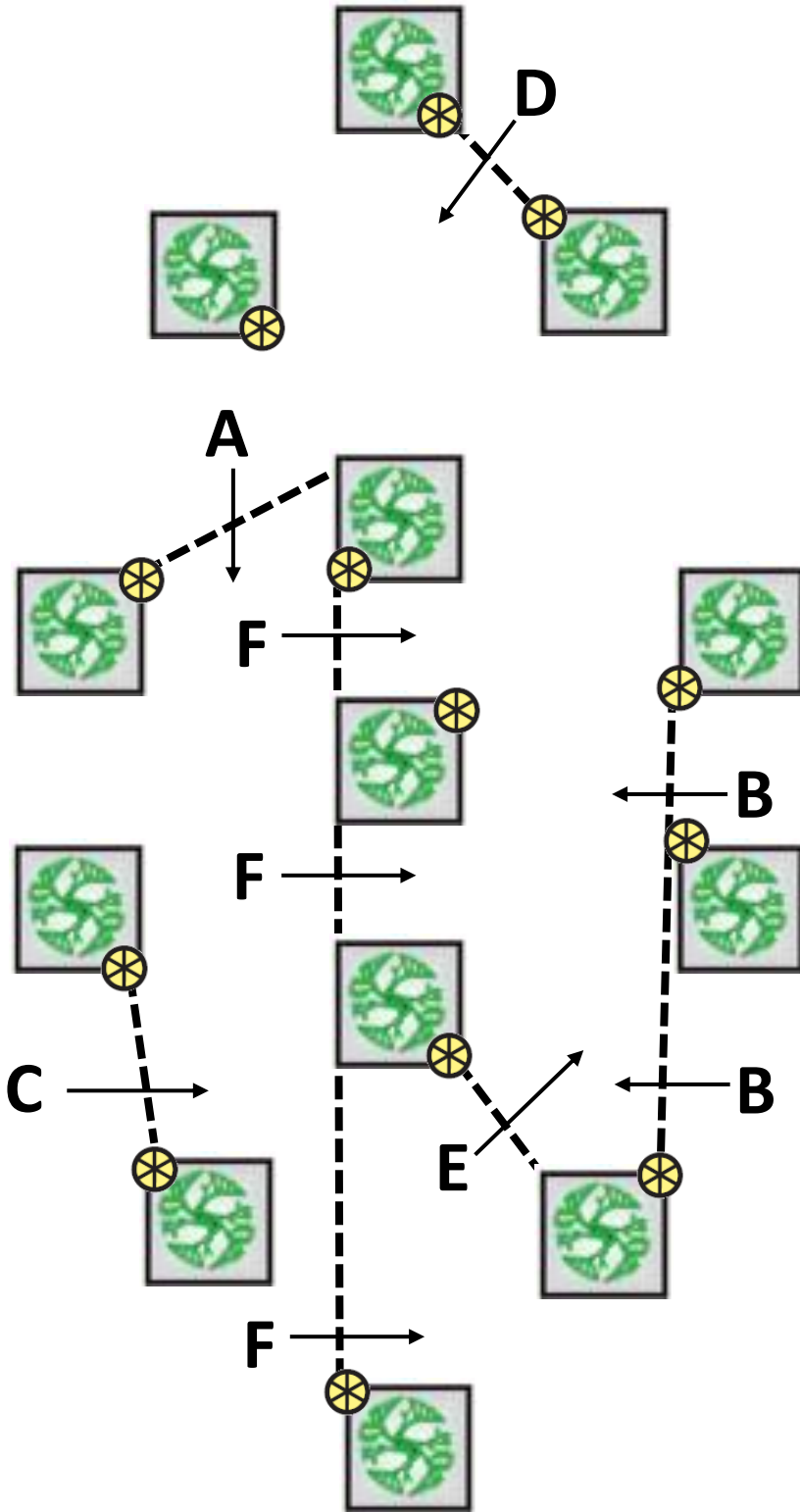
 = Knock down (7x)  



OBSTACLE 2

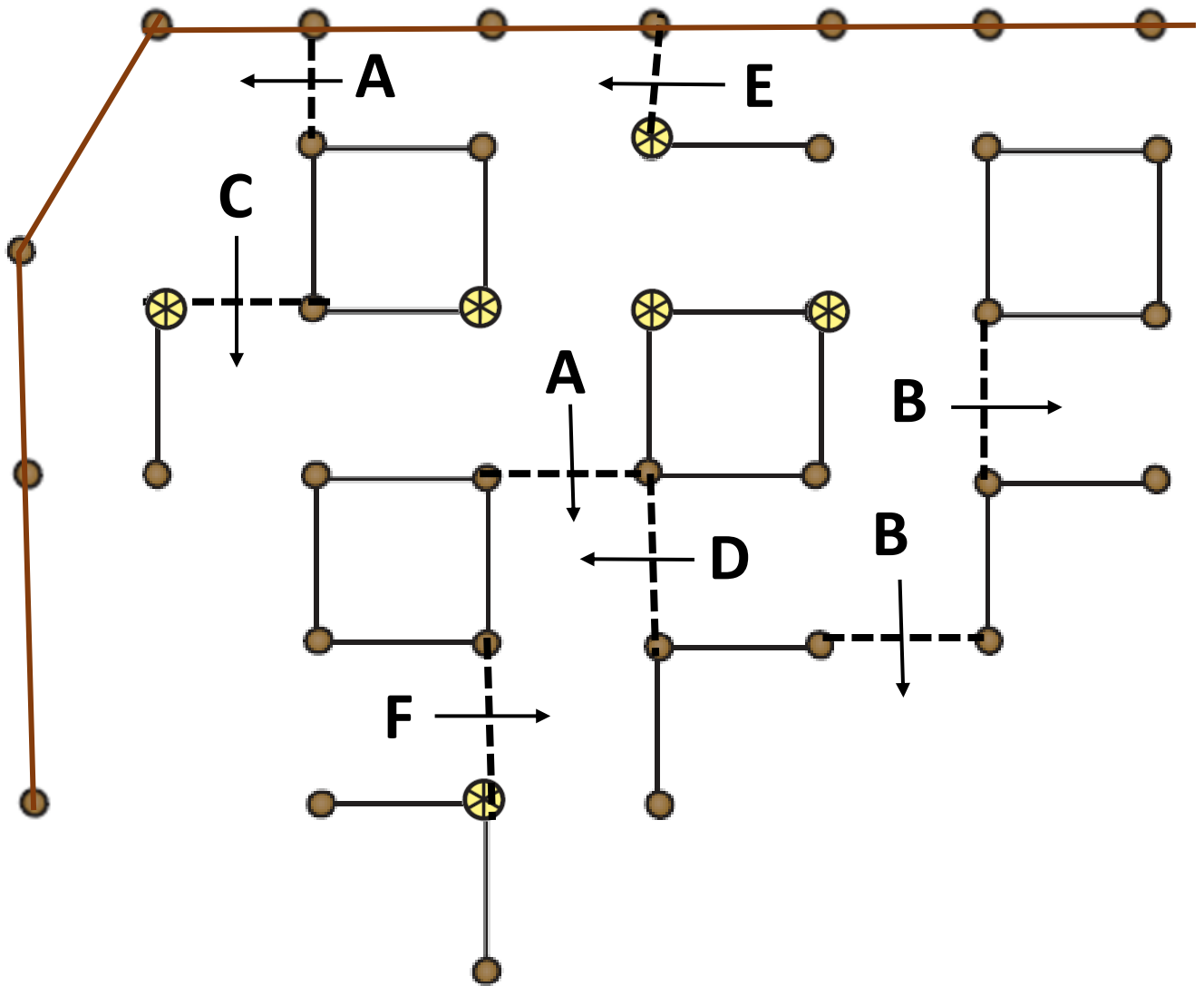


OBSTACLE 3



⊗ = Knock down (13 x) **JR KB**
HEATHER BRIGGS

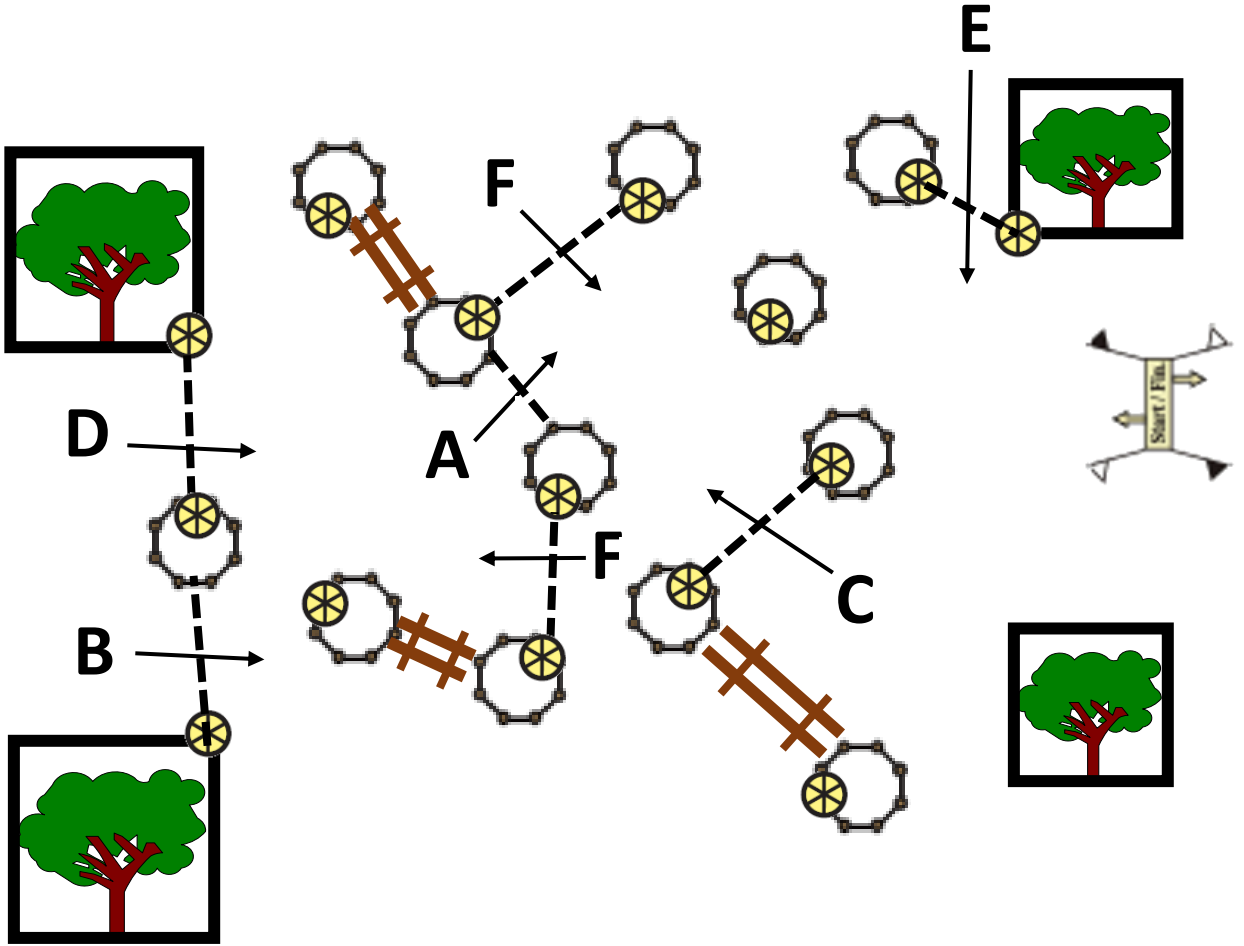
OBSTACLE 4



 = Knock down (6x)

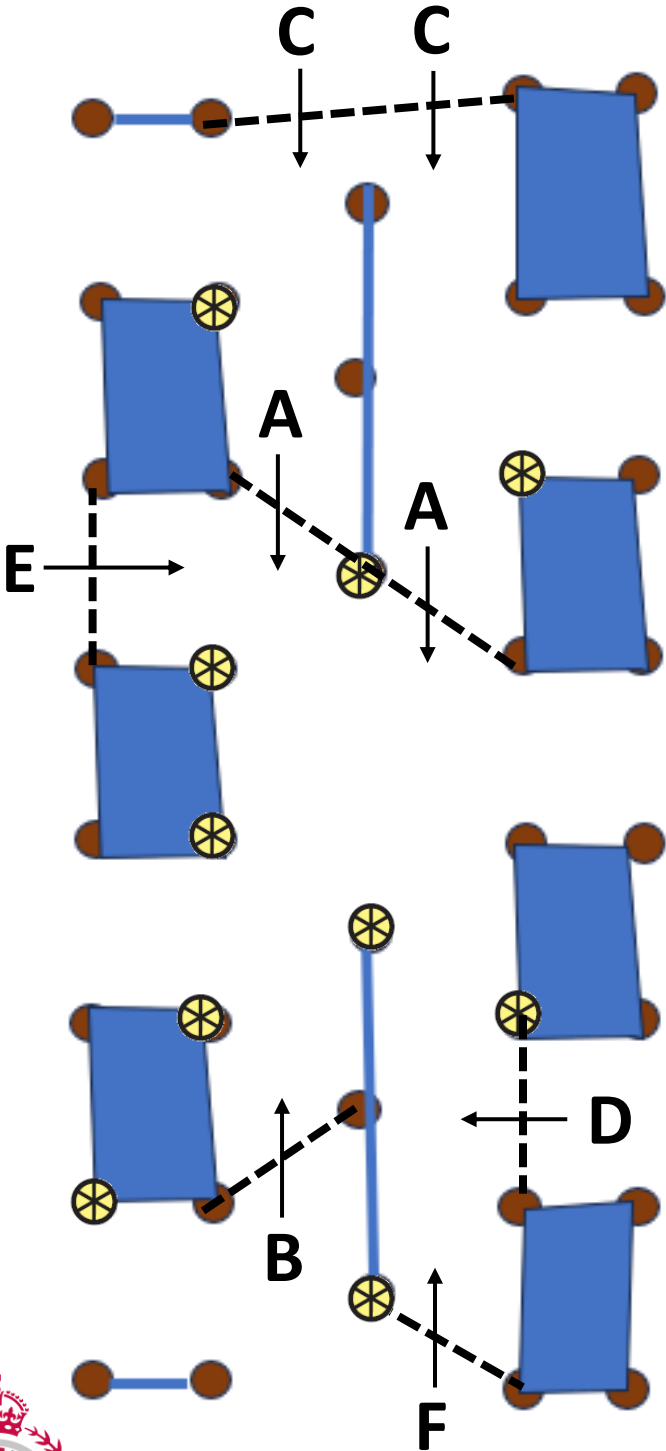
OBSTACLE 5


LUGANO[®]
DIAMONDS



OBSTACLE 6

Reed



 = Knock down (10x) **K&JR**



OBSTACLE 7

SO GOOD SAKE

